



Ethernet switch unmanaged gigabit ICRL-U-5RJ45-G-DIN

- Five - Gigabit ports
- Rugged housing for use in harsh environments
- 9K bytes jumbo frame for large file transfers
- Power event alarm
- Wide power input 10-60V DC
- Suitable for PROFINET IO and EtherNet/IP

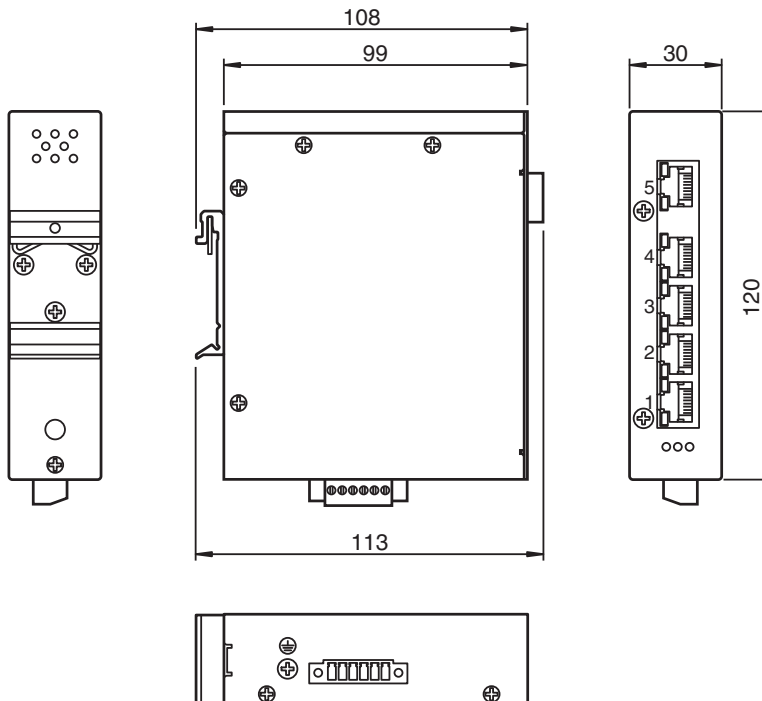
Ethernet unmanaged switch with 5 RJ45 gigabit ports and fault alarm



Function

The ICRL-U-5RJ45-G-DIN is a compact unmanaged industrial switch with five 10/100/1000BASE-T(X) ports, which ensures high switching performance and easy installation. Along with its high switching performance, it supports multiple internal performance features, such as 9K bytes Jumbo Frame, Flow Control, it ensures quality traffic transmission. The switch is designed for operating reliably under harsh environments, it supports one alarm relay to indicate fault conditions when a power failure occurs, users can quickly handle the emergency and shorten the failover time. It has an IP31 rugged metal housing that provides great injection protection and heat dispersion capability that supports a wide operating temperature range, and it complies to EN50121-4 Track Side Standard so that can ensure the EMC protection capability.

Dimensions



Technical Data

General specifications

UL File Number	E185778
MTBF	44.5 years

Release date: 2024-04-22 Date of issue: 2024-04-22 Filename: 70114054_eng.pdf

Refer to "General Notes Relating to Pepperl+Fuchs Product Information".

Pepperl+Fuchs Group
www.pepperl-fuchs.com

USA: +1 330 486 0001
fa-info@us.pepperl-fuchs.com

Germany: +49 621 776 1111
fa-info@de.pepperl-fuchs.com

Singapore: +65 6779 9091
fa-info@sg.pepperl-fuchs.com

PF PEPPERL+FUCHS

Technical Data

Ethernet Interface		
Auto-MDI(-X)		yes
Autonegotiation		yes
Ethernet Interface		Industrial Ethernet
Transfer rate		10BASE-T, 100BASE-TX, 1000BASE-T
Cable type		Category 5e or better
Standards		
IEEE 802.3 10BASE-T		yes
IEEE 802.3u 100BASE-TX		yes
IEEE 802.3x Flow Control and Back-pressure		yes
IEEE 802.3ab 1000BASE-T		yes
Indicators/operating means		
LED indication		see manual
Electrical specifications		
Rated operating voltage	U _e	10 ... 60 V DC
Power consumption		3 W
General information		Redundant power, power fault alarm, relay output rating 1A Max. @ 24V DC
Nominal voltage		24 V DC
Interface 1		
Physical		RJ45
Transfer rate		10/100/1000 Mbps
Inputs/Outputs		
Number/Type		5 x RJ45
Directive conformity		
Electromagnetic compatibility		
Directive 2014/30/EU		EN61000-6-2, EN55024, EN61000-6-4, EN55032
Standard conformity		
Emitted interference		EN 55032, FCC Part 15 Subpart B, ICES-003, AS/NZS CISPR 32
Noise immunity		EN 55024, EN61000-6-2
Ambient conditions		
Ambient temperature		-25 ... 70 °C (-13 ... 158 °F)
Storage temperature		-40 ... 85 °C (-40 ... 185 °F)
Relative humidity		max. 95 %
Altitude		0 ... 3048 m
Mechanical specifications		
Degree of protection		IP30
Connection		Power Supply Terminal Block Ethernet 5 x RJ45
Material		
Housing		aluminium, black
Mass		650 g
Dimensions		
Height		120 mm
Width		30 mm
Length		99 mm
Construction type		Cabinet module
Mounting		DIN rail or direct panel mounting

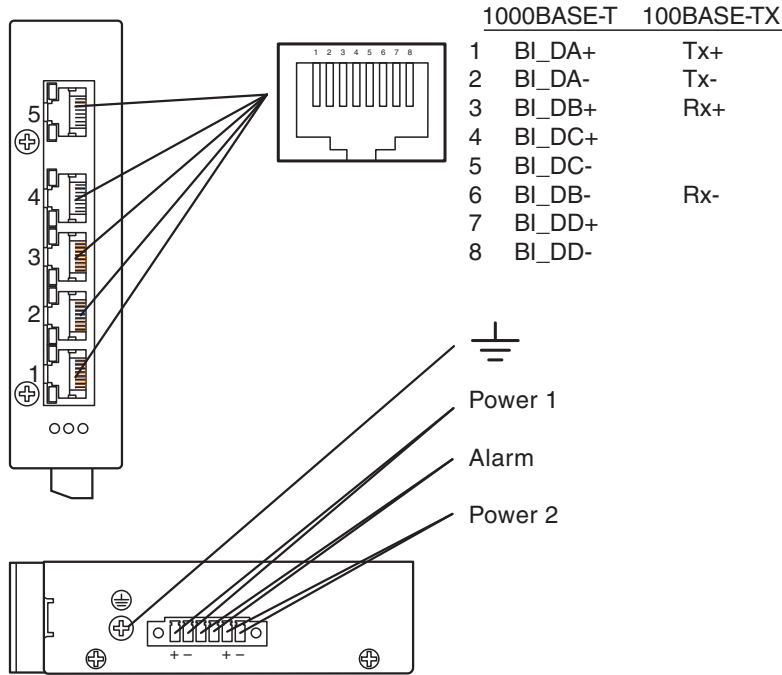
Release date: 2024-04-22 Date of issue: 2024-04-22 Filename: 70114054_eng.pdf

Refer to "General Notes Relating to Pepperl+Fuchs Product Information".

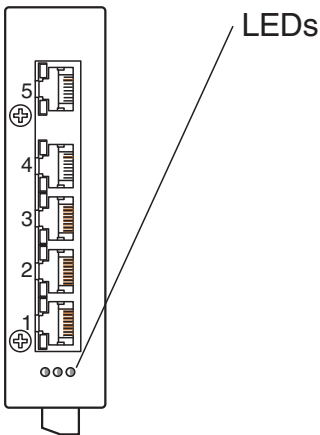
Pepperl+Fuchs Group
www.pepperl-fuchs.comUSA: +1 330 486 0001
fa-info@us.pepperl-fuchs.comGermany: +49 621 776 1111
fa-info@de.pepperl-fuchs.comSingapore: +65 6779 9091
fa-info@sg.pepperl-fuchs.com

PEPPERL+FUCHS

Connection



Indication



Release date: 2024-04-22 Date of issue: 2024-04-22 Filename: 70114054_eng.pdf

Refer to "General Notes Relating to Pepperl+Fuchs Product Information".